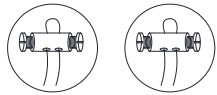
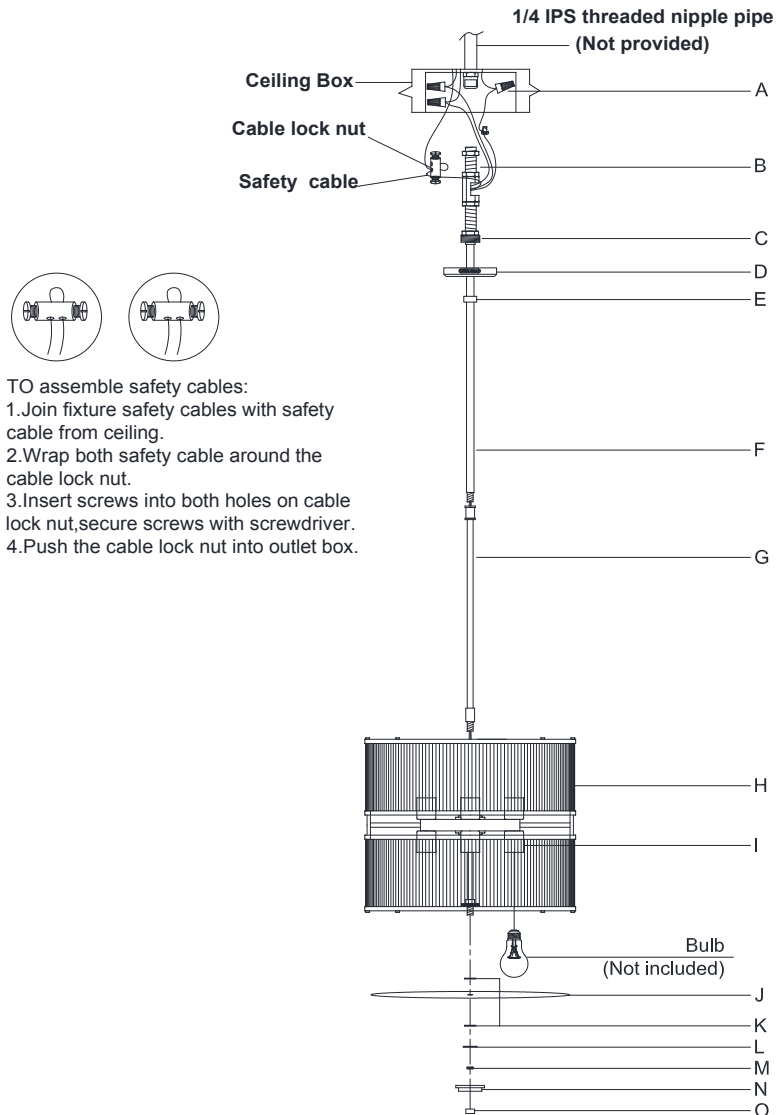


ASSEMBLY INSTRUCTIONS



TO assemble safety cables:

1. Join fixture safety cables with safety cable from ceiling.
2. Wrap both safety cable around the cable lock nut.
3. Insert screws into both holes on cable lock nut, secure screws with screwdriver.
4. Push the cable lock nut into outlet box.

Allen Large Pendant

Item # RL 5082

NOTICE:

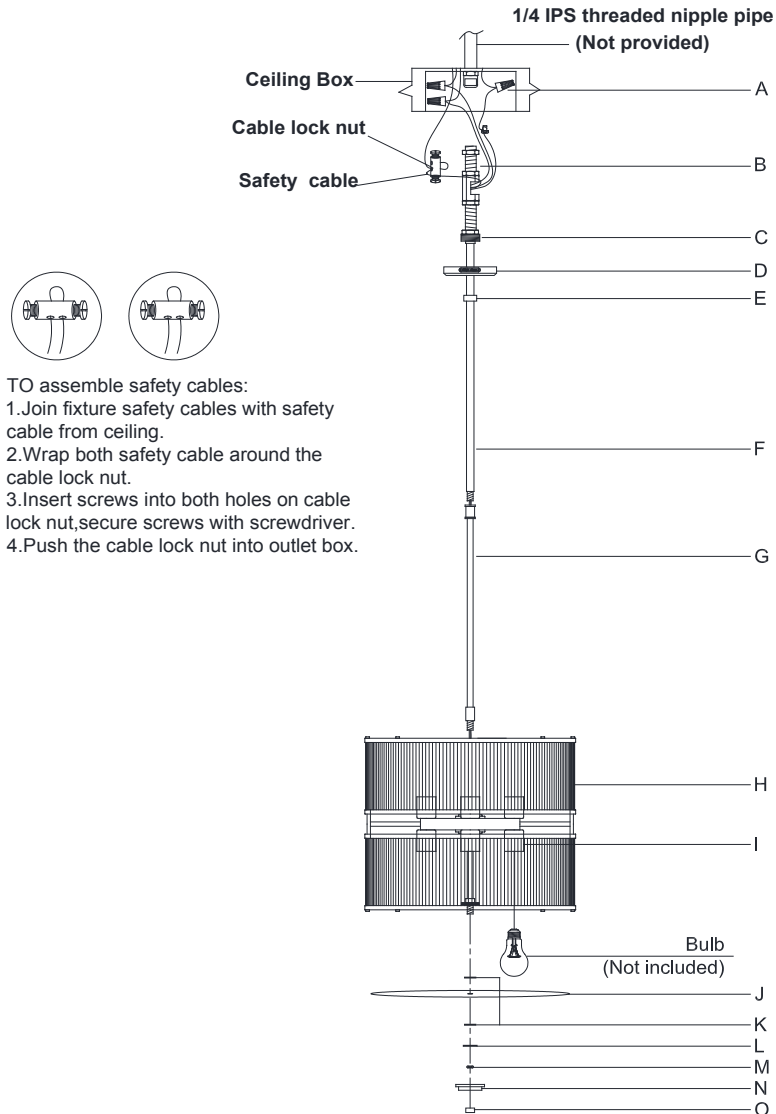
This light fixture should be installed in accordance with all applicable, local installation codes, and by a person familiar with the construction and operation of it, as well as the hazards involved. Inspect item and contents carefully. If any damage or defect is found, do not install. Retain all packaging material until installation is complete and approved.

1. Carefully remove all parts from the box.
2. Thread the tube (G) to the fixture body (H), then thread the tube (F) to the tube (G).
3. Loosen the lock collar (E) and let the canopy (D) slide down the tube carefully.
4. A 1/4" threaded nipple must be installed in your outlet box. Then install the threaded nipple (B) into the outlet box.
5. Cut the cord up through 15" length beyond the canopy.
6. Connect the fixture Ground (bare) wire with the ground wire from the outlet box using wire nut (A). If your house does not have ground wire, then attach this wire to the green grounding screw inside of the outlet box.
IT IS IMPERATIVE THAT THIS FIXTURE BE GROUNDED.
7. Connect the fixture Neutral (ribbed, no markings) wire with the neutral wire from the outlet box using wire nut (A).
8. Connect the fixture Hot (smooth edge, markings) wire with the hot wire from the outlet box using wire nut (A).
DO NOT REVERSE THE HOT AND NEUTRAL CONNECTIONS OR SAFETY WILL BE COMPROMISED.
9. Tuck these wire connections neatly into the outlet box to secure.
10. Attach canopy (D) to the ceiling loop (C) and secure with lock collar (E).

RALPH LAUREN



ASSEMBLY INSTRUCTIONS



Allen Large Pendant

Item # RL 5082

NOTICE:

This light fixture should be installed in accordance with all applicable, local installation codes, and by a person familiar with the construction and operation of it, as well as the hazards involved. Inspect item and contents carefully. If any damage or defect is found, do not install. Retain all packaging material until installation is complete and approved.

11. Insert bulbs (not included) into the sockets (I).
12. Attach the plastic washer (K), diffuser (J), metal washer (L) to the bottom of the fixture body and secure with nut (M), cap (N) and finial (O).
13. Installation is complete, turn on power at fuse or circuit breaker.

Care Instructions: Clean only with a soft dry cloth or feather duster. Do not use abrasive or chemical agents.

RALPH LAUREN

